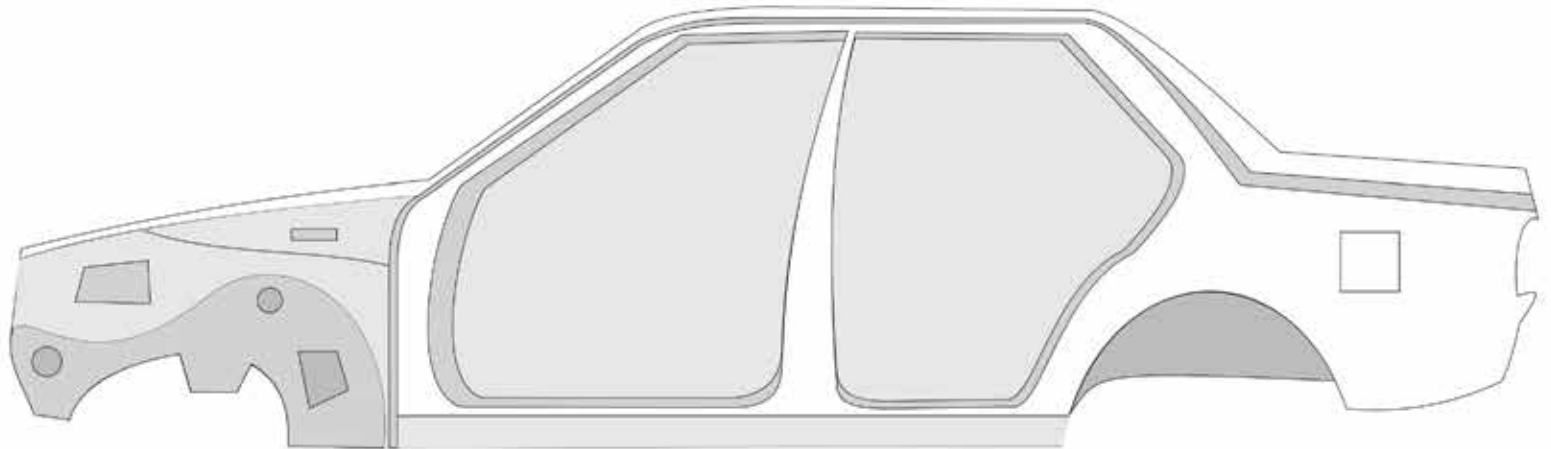
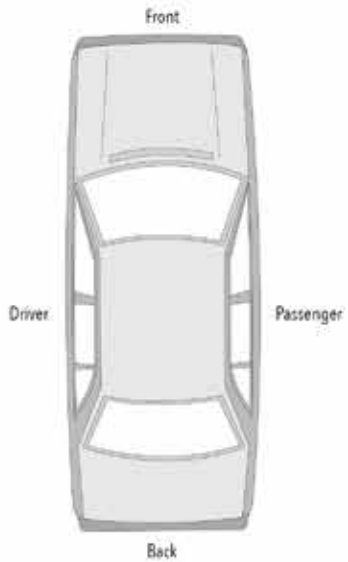
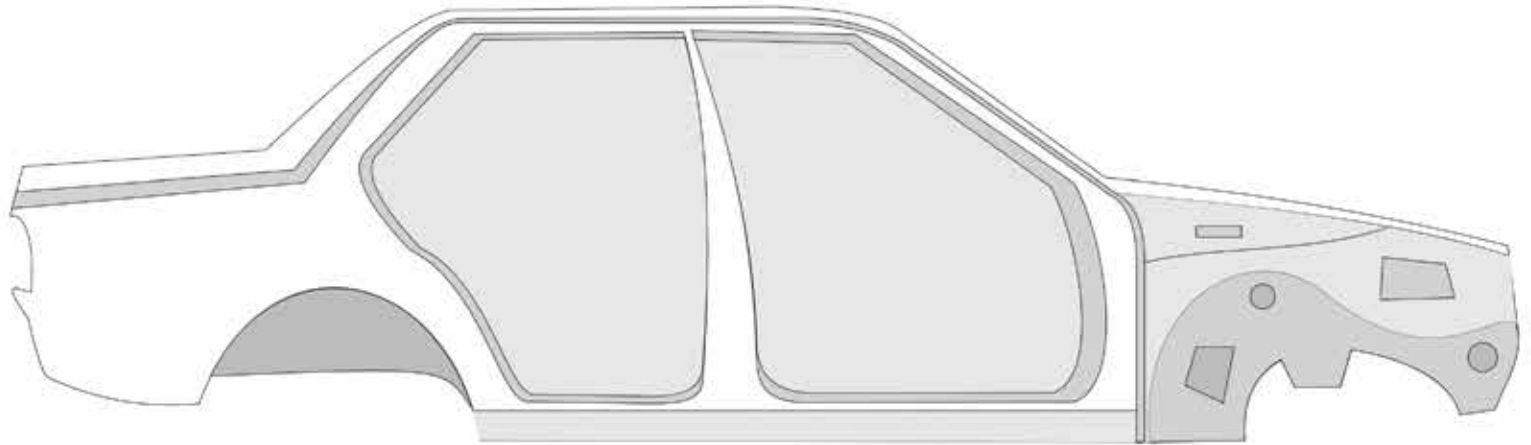
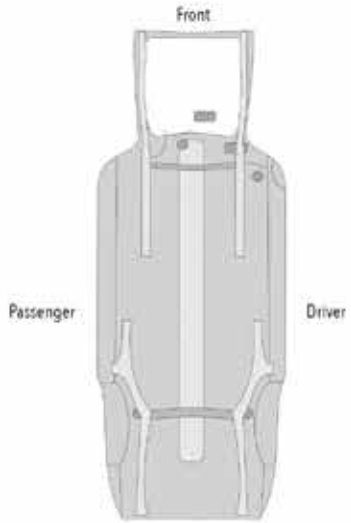




Special instructions/Additional information

Any special landmarks (striker, latch, seam, hinge, etc):



RECYCLED PARTS REQUEST FORM: 4-DOOR UNIBODY

DATE: _____ VEHICLE TYPE: _____ SHOP NAME: _____